

RSB-3430

NXP i.MX6 Cortex-A9
2.5英寸单板电脑



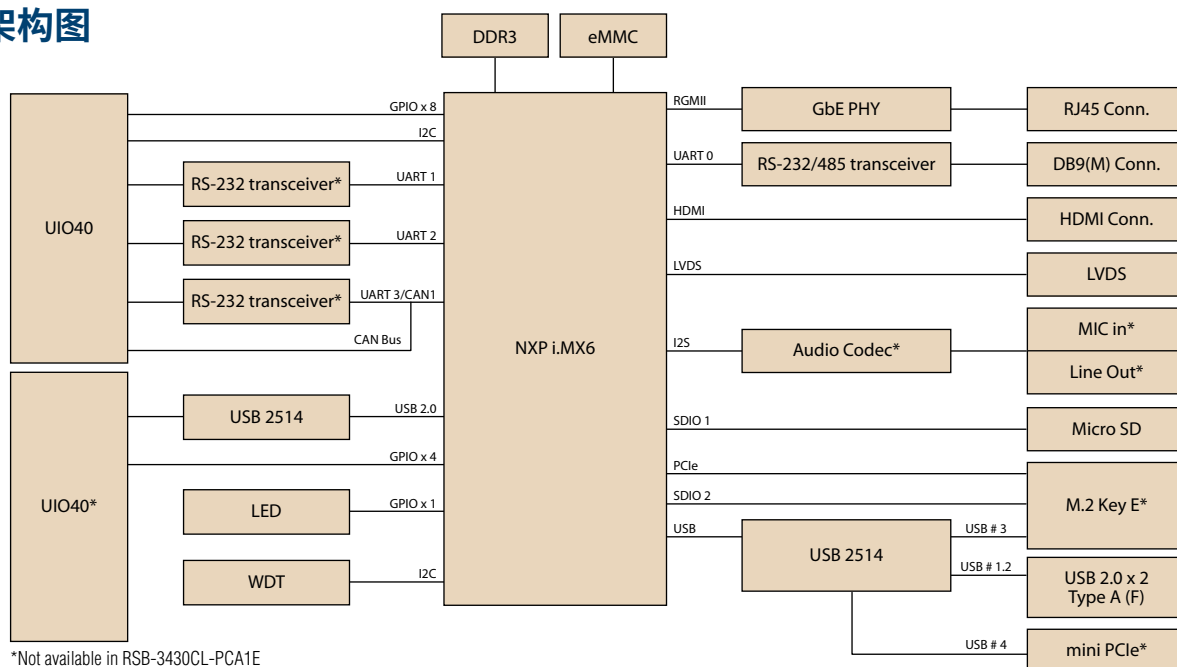
- 搭载NXP Arm®Cortex®-A9i.MX6双1 GHz
- 支持板载DDR3 1 GB, 800 MHz内存
- 支持HDMI 1920x1080 (60Hz), 双通道18/24位LVDS
- 支持1个4线RS-232 / RS-485接口、2个USB 2.0接口、1个Micro SD、1个Mic in/Line out接口
- 配备1个3G / 4G网卡专用的mini-PCIe卡槽, 1个M.2 Key E接口 (2230型)
- UIO可实现4个USB2.0、12 GPIO、2个2线UART、1个2线UART / CAN、1个I2C等功能的扩展
- 支持Yocto Linux和Android



规格

Form Factor		2.5" SBC
Processor System	CPU	NXP i.MX6 Cortex-A9 Dual 1 GHz
Memory	Technology	DDR3 1066 MHz
	Capacity	On-board DDR3 1 GB
	Flash	16 GB eMMC Flash for O.S. and 4 MB NOR Flash for Advantech boot loader
Graphics	HDMI	1 HDMI, 1920 x 1080 at 60Hz
	LVDS	Dual Channel 18/24 bit LVDS, Backlight power, 5/12V, Max. 1A
	Graphics Engine	1 IPU. OpenGL ES 2.0 for 3D, BitBlit for 2D and OpenVG 1.1
	H/W Video Codec	Decoder: MPEG-4 ASP, H.264 HP, H.263, MPEG-2 MP, MJPEG BP Encoder: MPEG-4 SP, H.264 BP, H.263, MJPEG BP
Ethernet	Chipset	NXP i.MX6 integrated RGMII
	Speed	1 10/100/1000 Mbps
WatchDog Timer	WatchDog Timer	1~6553s, power on/off 4s
I/O	USB	2 USB 2.0 Host
	Audio	1 Mic. in / Line out (Not available in RSB-3430CL-PCA1E)
	SDIO	1 Micro SD
	Serial Port	1 4 wires RS-232/RS-422/RS-485
	UIO40	4 USB2.0, 12 GPIO, 2 UART, 1 UART/CAN, 1 I2C (4USB and 4 GPIO are not available in RSB-3430CL-PCA1E)
Indicator	LED	1 Green LED for the system power
		1 Green LED (Programmable)
Expansion	Full Size Mini PCIe	1 (Only USB signal) (Not available in RSB-3430CL-PCA1E)
	M.2	1 Key E, Type 2230 (Not available in RSB-3430CL-PCA1E)
	SD Socket	1 Micro SD
	SIM Slot	1 (Not available in RSB-3430CL-PCA1E)
Power	Power Supply Voltage	+12 V
	Power Type	DC-in
	Power Consumption	4.05W (Max.)
Environment	Operating Temperature	0~60/-40~85°C
	Operating Humidity	5%~95% Relative humidity, non-condensing
Mechanical	Dimensions	100 x 72 x 19 mm
	Weight	210g
Operation System		Yocto Linux and Android
Certifications		CE/FCC Class B

架构图



订货信息

Part No.	CPU	Memory	Flash Memory	HDMI	LVDS	LAN	Serial Port	M.2 Key E	USB Host	Mini-PCIe	SD	CAN	UIO40	Operating Temperature
RSB-3430CD-PNA2E	NXP i.MX6 Dual 1 GHz	1 GB	16 GB	1	1	1	1 x 4 wire RS-232	1	2	1	1	-	2	0 ~ 60 °C
RSB-3430CD-PCA2E	NXP i.MX6 Dual 1 GHz	1 GB	16 GB	1	1	1	1 x 4 wire RS-232	1	2	1	1	1	2	0 ~ 60 °C
RSB-3430WD-PNA2E	NXP i.MX6 Dual 1 GHz	1 GB	16 GB	1	1	1	1 x 4 wire RS-232	1	2	1	1	-	2	-40 ~ 85 °C
RSB-3430WD-PCA2E	NXP i.MX6 Dual 1 GHz	1 GB	16 GB	1	1	1	1 x 4 wire RS-232	1	2	1	1	1	2	-40 ~ 85 °C
RSB-3430CL-PCA1E	NXP i.MX6 Dual 1 GHz	1 GB	4 GB	1	1	1	1 x 4 wire RS-232	-	2	-	1	1	1	0 ~ 60 °C

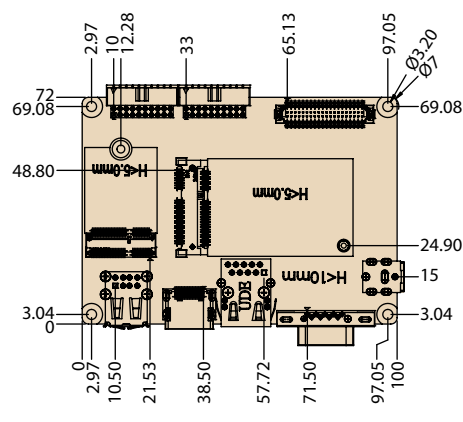
装箱单

Part Number	Description
9696343000E	RSB-3430 2.5" SBC

可选配件

Part Number	Description
96PSA-A36W12R1-3	ADAPTER 100-240V 36W 12V 3A
AIW-154BN	802.11 ac/a/b/g/n Wi-Fi and BT5.0 M.2 card
AIW-165BN	802.11a/b/g/n/ac/ax, Wi-Fi 6 and BT 5.3
AIW-344FQ-x02	LTE/HSPA+/GPRS module, with GPS,
1750006264	Antenna SMA(F)/MHF 15cm SMALFN8-3150A-00X00R (4 G Cable)
1750008303-01	Antenna AN0727-64SP6BSM
1750007965-01	Wi-Fi cable, SMA (M) to MHF4, 50 cm
1750008717-01	Dipole Ant. D.B 2.4/5G WIFI 3dBi SMA/M-R BLK
1700030306-01	UIO20 extending cable of RSB-3430 for 4USB&4GPIO
1700030307-01	UIO40 extending cable of RSB-3430,3COM&8GPIO
1700031429-01	Line out cable
1700026878-01	Mic. in cable
1702002605	Power Cord 3P EU 10A 250V 183cm
1700008921	Power Cord 3P PSE 183cm
1702031801	Power Cord 3P UK 10A 250V 183cm
1702002600	Power Cord UL 3P 10A 125V 183cm
1700009652	Power Cord CCC 3P 10A 250V 187cm

尺寸图



I/O 视图

