

# 968DD00320

# 968DD00322

# 968DD00323

## Hailo-8™ M.2 AI Acceleration Module (Buy & Sell SKU)

**NEW**



CE FCC

### Features

- 26 TOPS delivered by Hailo-8 VPU
- M.2 2280 with breakable extensions (B+M key/M key), M.2 2230 (A+E key)
- 40~65°C operating temp. with optional heatsink
- Typical 2.5W low power consumption
- Rich AI Development Toolkits for Runtime SDK integration, Model build, Model Convert, and Pre-trained AI application

HAILO

### Specifications

		968DD00320	968DD00322	968DD00323
Processor	AI Accelerator	One Hailo-8™ VPU		
	INT8 Peak Performance	26 TOPS		
Signal Interface	PCI Express	PCIe Gen3 x4	PCIe Gen3 x2	PCIe Gen3 x2
	Form Factor	M.2 2242 (Key M)	M.2 2242 (Key A+E)	M.2 2242 (Key B+M)
Physical	Dimensions	22 x 80 x 2.63 mm	22 x 30 x 2.63 mm	22 x 80 x 2.63 mm
	Power Range	3.3V±5%		
	Power Consumption	Typical 2.5W, Max.5W among Hailo supported models		
Operating	Temperature	-40 ~ 85°C (Throttling), with 0.7m/s air flow -40 ~ 65°C (Non-Throttling), with 0.7m/s air flow*		
	Humidity	40 °C @ 85% relative humidity (non-condensing)		
Thermal Solution	Cooling	Heatsink (option)	-	Heatsink (option)
Software Support	Windows	Windows 11,10 64 bit		
	Linux	Ubuntu 22.04, 20.04 LTS		
	Framework	Support TensorFlow, TensorFlow Lite, ONNX, Keras, Pytorch by Dataflow complier converted		
System Support	CPU platform	X86 or ARM based		

\*Note: According to operating temperature tests performed with EAI-1200 optional heatsink

### Ordering Information

Part Number	Description
968DD00320	M.2 key M 1x Hailo-8 AI module
968DD00322	M.2 key A+E 1x Hailo-8 AI module
968DD00323	M.2 key B+M 1x Hailo-8 AI module

### Optional items

Part Number	Description
1970005996N001	Heatsink for EAI-1200

Note: 1970005996N001 is compatible with 968DD00320 and 968DD00323

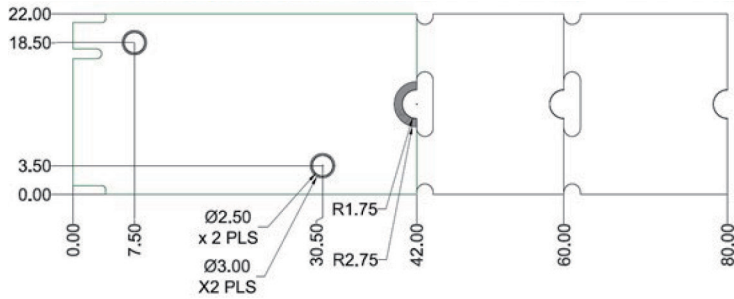
### Bundling Information

Part Number	Description
EAI-1200-00A1	M.2 key B+M 1x Hailo-8 AI module for Bundling

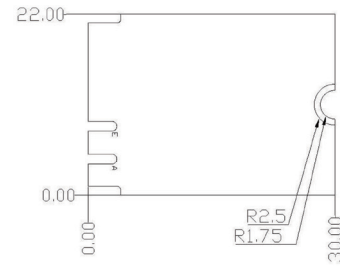
## Dimensions

Unit: mm

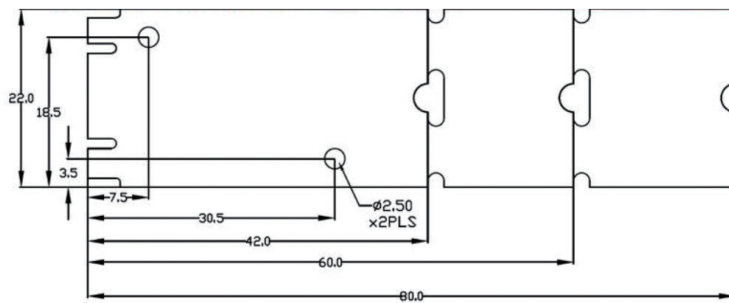
### Hailo-8 M.2 module M key



### 968DD00322 Hailo-8 M.2 module A+E key

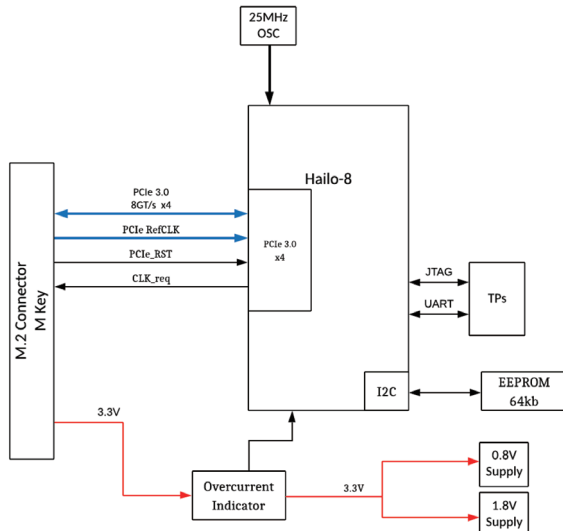


### Hailo-8 M.2 module B+M key



## Block Diagram

### Hailo-8 M.2 module M key



### Hailo-8 M.2 module B+M key / A+E key

